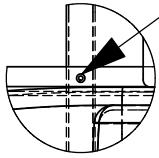
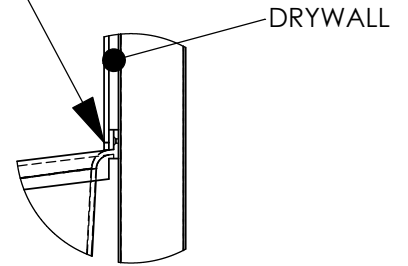


1/8" GAP BETWEEN TILE AND BASIN



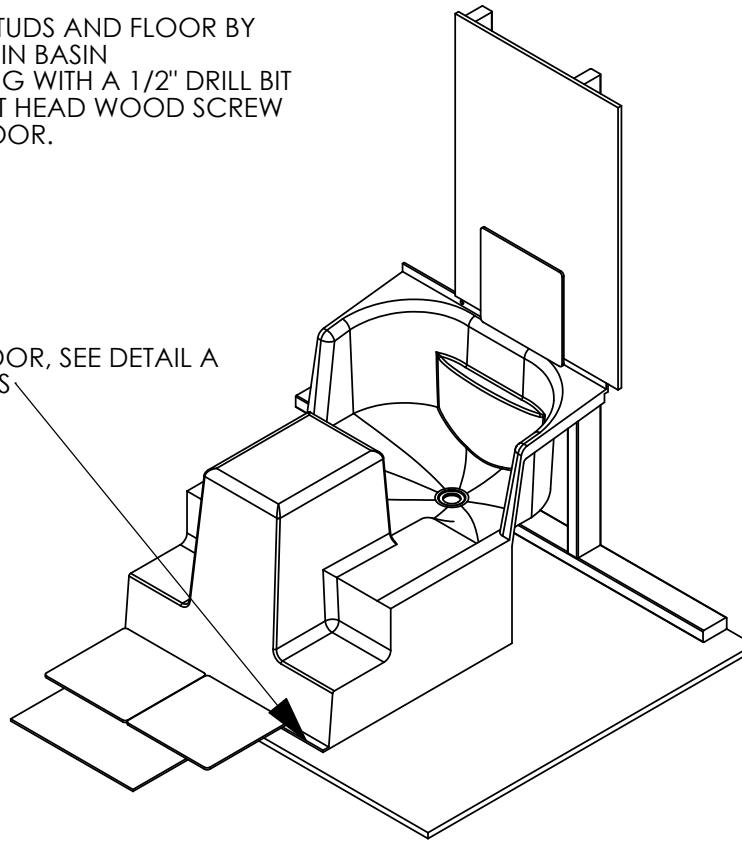
DETAIL A
SCALE 1 : 10

ANCHOR BASIN TO STUDS AND FLOOR BY DRILLING 7/16" HOLE IN BASIN AND COUNTERSINKING WITH A 1/2" DRILL BIT DRIVE A #12 X 2" FLAT HEAD WOOD SCREW INTO THE STUDOR FLOOR.



DETAIL B
SCALE 1 : 10

ANCHOR FLANGE TO FLOOR, SEE DETAIL A FOR ANCHORING DETAILS



1/8" GAP BETWEEN TILE AND BASIN

SUB FLOOR

FLOOR

42.968

5.424
26 1/2"

30"

PROPRIETARY AND CONFIDENTIAL
THE INFORMATION CONTAINED IN THIS DRAWING IS THE SOLE PROPERTY OF TAHARA. ANY REPRODUCTION IN PART OR AS A WHOLE WITHOUT THE WRITTEN PERMISSION OF TAHARA IS PROHIBITED.

UNLESS OTHERWISE SPECIFIED:		NAME	DATE
DIMENSIONS ARE IN INCHES		DRAWN	
TOLERANCES:		CHECKED	
FRACTIONAL ±		ENG APPR.	
ANGULAR: MACH ± BEND ±		MFG APPR.	
TWO PLACE DECIMAL ±		Q.A.	
THREE PLACE DECIMAL ±		COMMENTS:	
INTERPRET GEOMETRIC TOLERANCING PER:			
MATERIAL			
FINISH			
NEXT ASSY	USED ON		
APPLICATION			
DO NOT SCALE DRAWING			

TAHARA

TITLE:

SIZE DWG. NO. REV
AASSY- M1000

SCALE: 1:20 WEIGHT: SHEET 1 OF 1